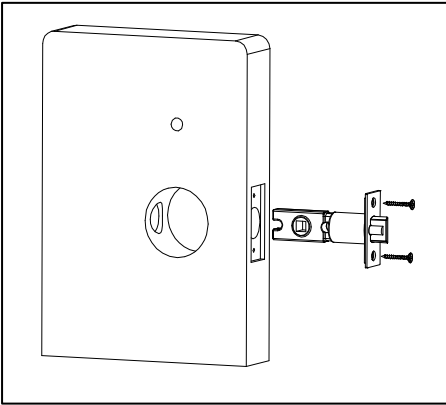
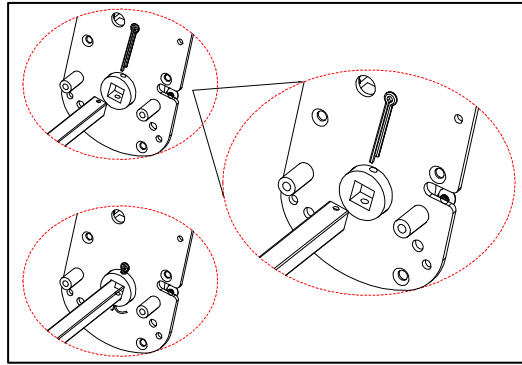


Installation for LS-8015 with single latch

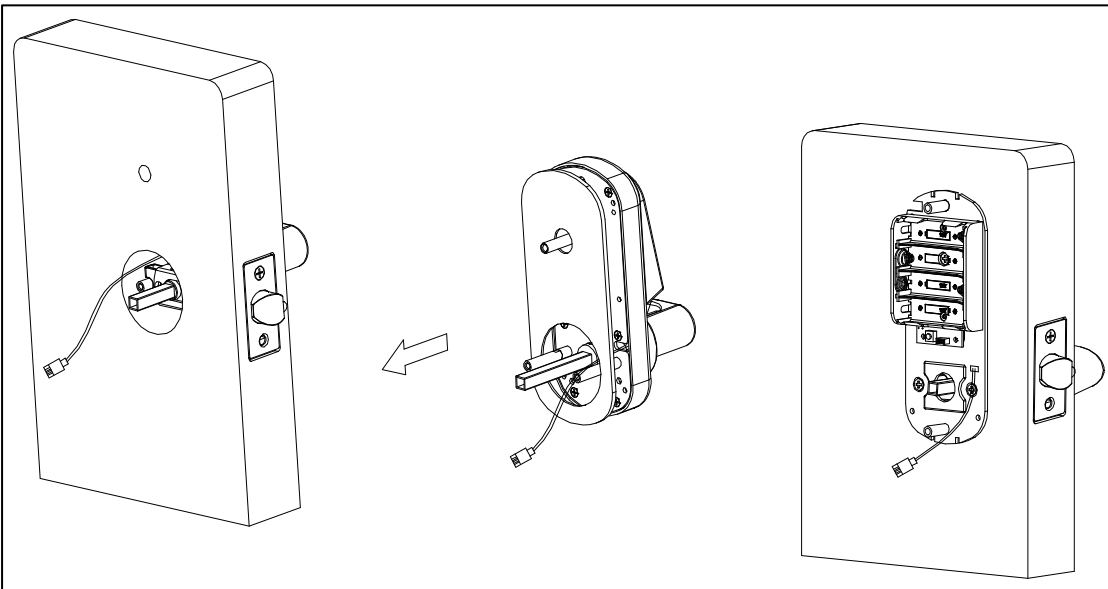
Step 1



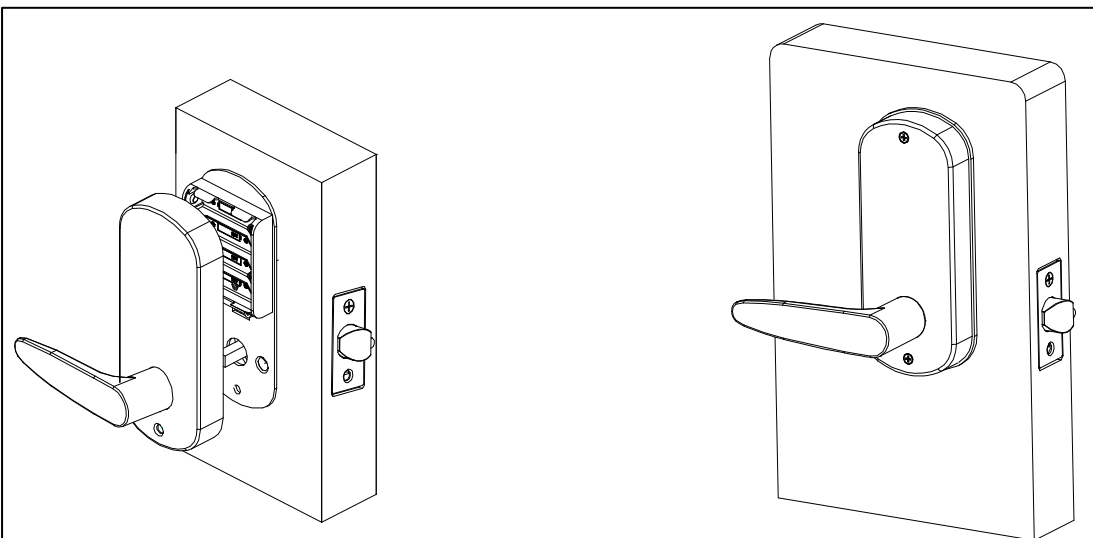
Step 2



Step 3



Step 4



Step 5

